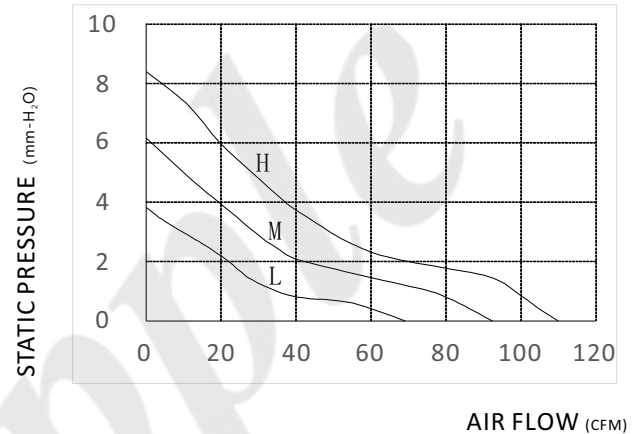
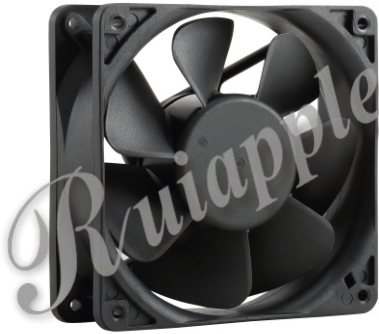


MODEL:RA-DC12038

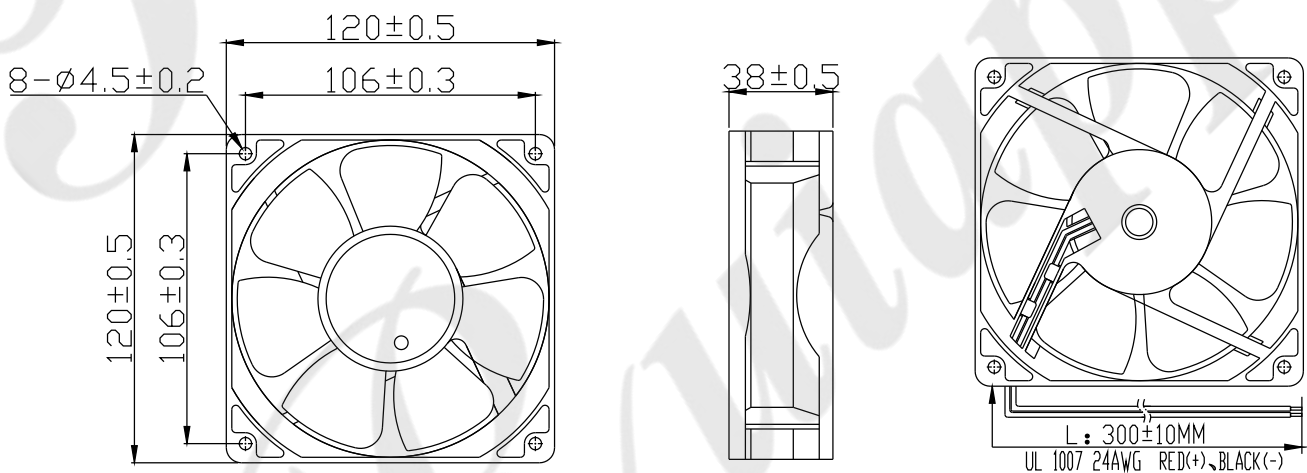


SPECIFICATION

(L: Low -speed; M: Middle - speed; H: High -speed; U: Ultra high-speed; D: Ultra low-speed)

Voltage (VDC)	Model	Current	Power	Speed	Max air-flow		Max Pstatic	Noise
		A	W	RPM	CMM	CFM	mm-H ₂ O	Dba
12	L	0.15	1.80	2000	117.40	69.10	3.82	34
	M	0.25	3.00	2500	156.99	92.40	6.16	41
	H	0.45	5.40	3000	186.89	110.00	8.39	44
24	L	0.12	2.88	2000	117.40	69.10	3.82	34
	M	0.19	4.56	2500	156.99	92.40	6.16	41
	H	0.26	6.24	3000	186.89	110.00	8.39	44
48	L	0.06	2.88	2000	117.40	69.10	3.82	34
	M	0.09	4.32	2500	156.99	92.40	6.16	41
	H	0.12	5.76	3000	186.89	110.00	8.39	44

DRAWING



GENERAL DESCRIPTION

1. BEARING TYPE: BALL BEARING OR SLEEVE
2. IMPELLER AND FRAM MATERIAL: PBT
3. MOTOR TYPE: BLDC
4. INSULATION GRADE: E
5. INSULATION RESISTANCE: 10M/500VDC
6. DIELECTRIC STRENGTH: 2MINIMUM/500AVC-5mA
7. AMBIENT HUMIDITY: RH20%-RH75%
8. STORAGE TEMPERATURE: -20°C ~ +75°C
9. WORKING TEMPERATURE: -10°C ~ +70°C
10. SERVICE LIFE: 50000 HRS

CUSTOMIZATION FUCTIONS

SPEED CONTROL

- ▶ PWM; Vsp; SOFT-START; CLOSED-LOOP; GAPCYCLE RUNNING

OUT SIGNAL

- ▶ FG; RD (EXCEED THE MIN. SPEED SETTINGS)

PROTECTION

- ▶ LOCKED; WATER-PROOF; DUSTY-PROOF